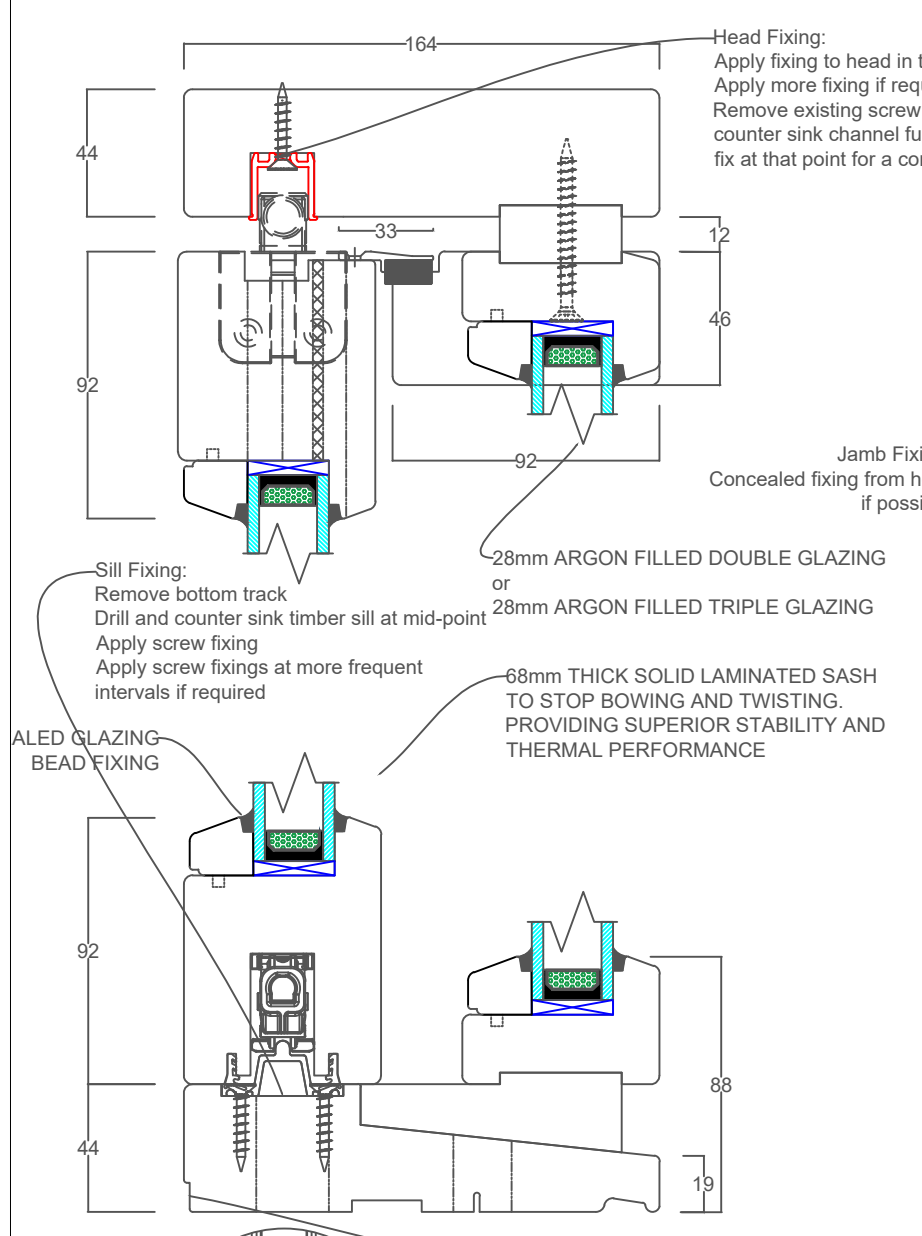


BINQ LIFT & SLIDE SECTION DETAIL



Head Fixing:
Apply fixing to head in the middle of opening.
Apply more fixing if required
Remove existing screw from top guide channel, counter sink channel further if required and fix at that point for a concealed fixing

Jamb Fixing:
Concealed fixing from here if possible

Sill Fixing:
Remove bottom track
Drill and counter sink timber sill at mid-point
Apply screw fixing
Apply screw fixings at more frequent intervals if required

ALUMINUM GLAZING BEAD FIXING

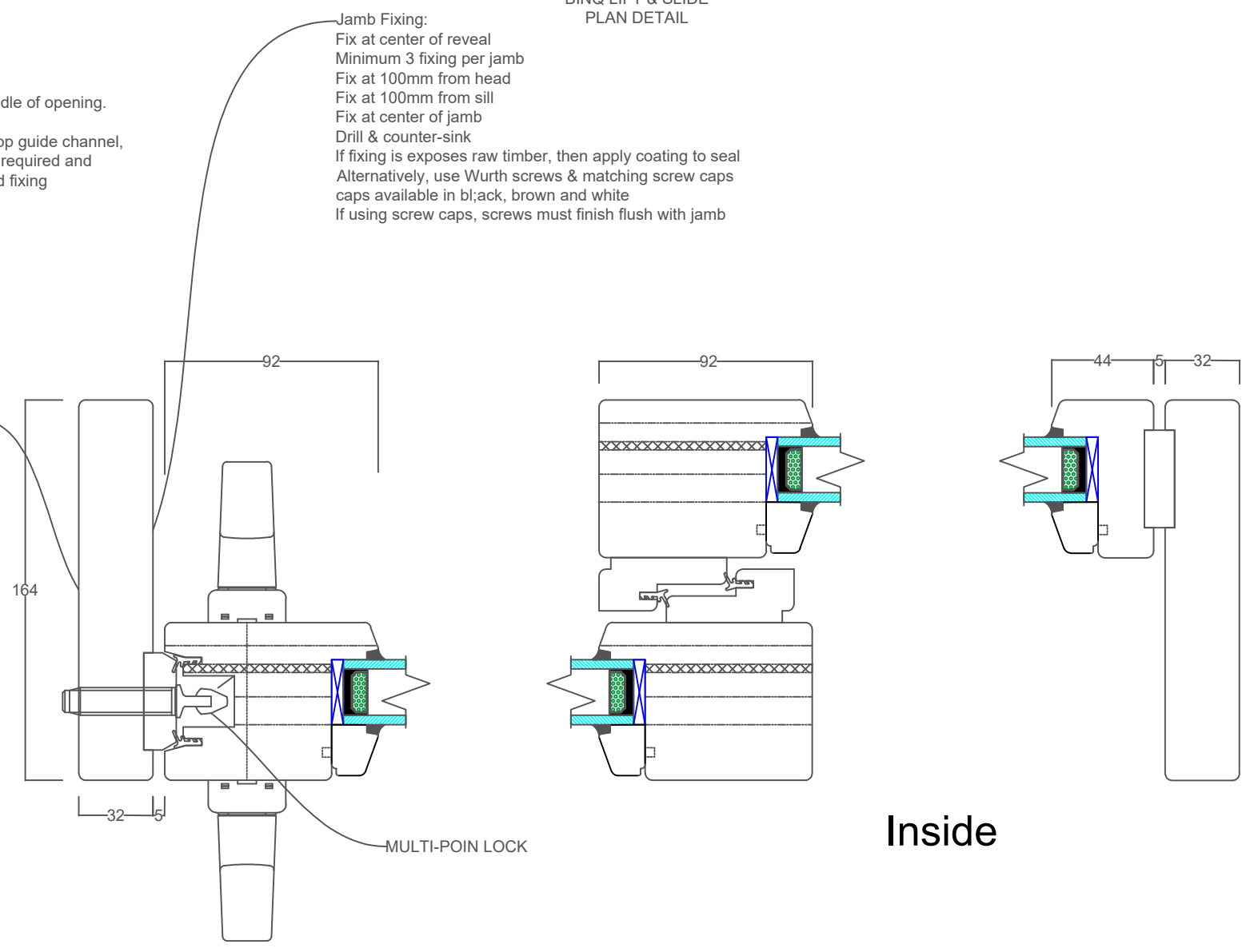
28mm ARGON FILLED DOUBLE GLAZING
or
28mm ARGON FILLED TRIPLE GLAZING

68mm THICK SOLID LAMINATED SASH TO STOP BOWING AND TWISTING. PROVIDING SUPERIOR STABILITY AND THERMAL PERFORMANCE

Flashing:
OPTION: Sills must be flashed from this point

5mm Running Rail

BINQ LIFT & SLIDE PLAN DETAIL



Jamb Fixing:
Fix at center of reveal
Minimum 3 fixing per jamb
Fix at 100mm from head
Fix at 100mm from sill
Fix at center of jamb
Drill & counter-sink
If fixing is exposes raw timber, then apply coating to seal
Alternatively, use Wurth screws & matching screw caps caps available in black, brown and white
If using screw caps, screws must finish flush with jamb

MULTI-POINT LOCK

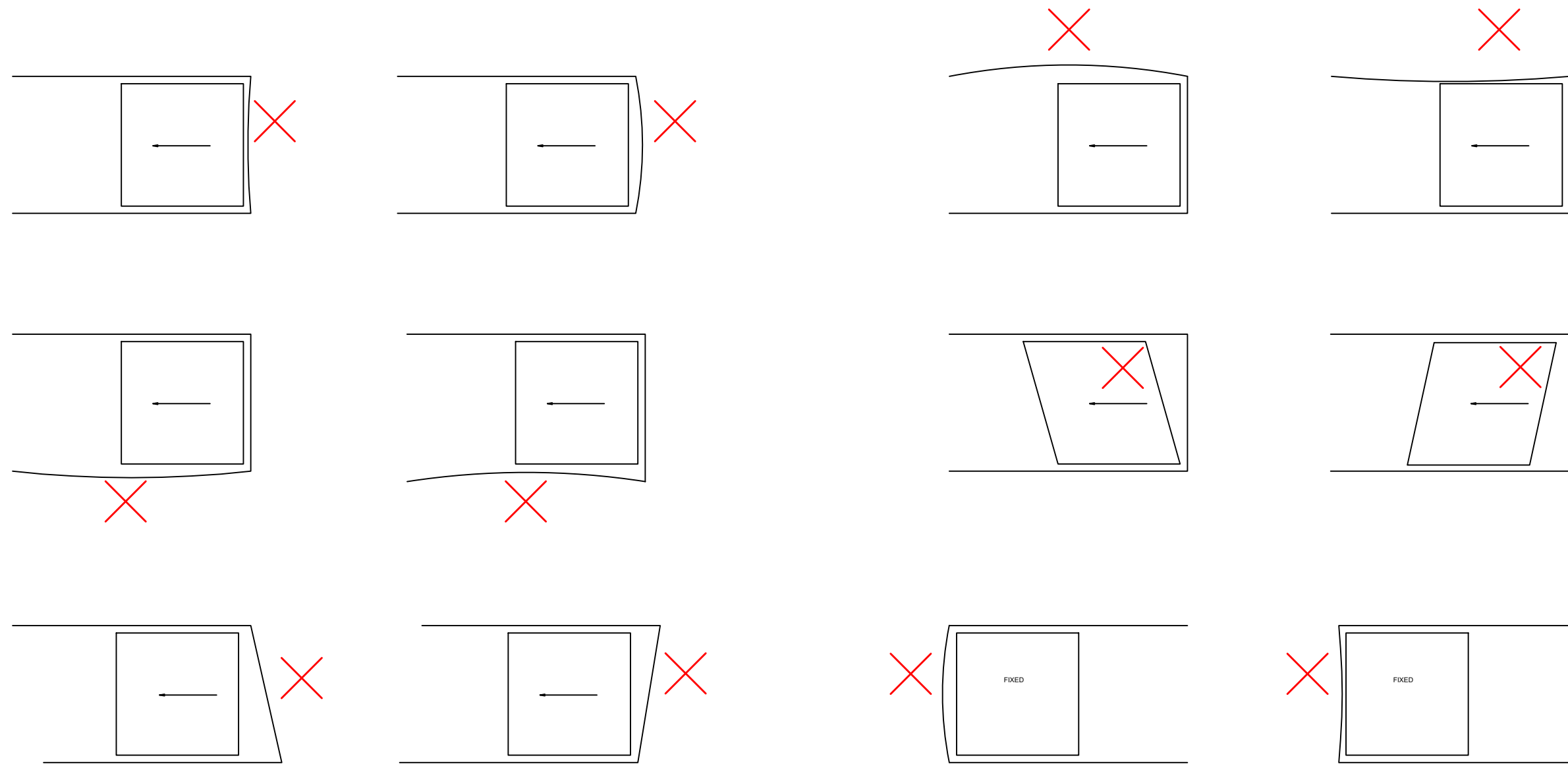
Inside

General Notes:

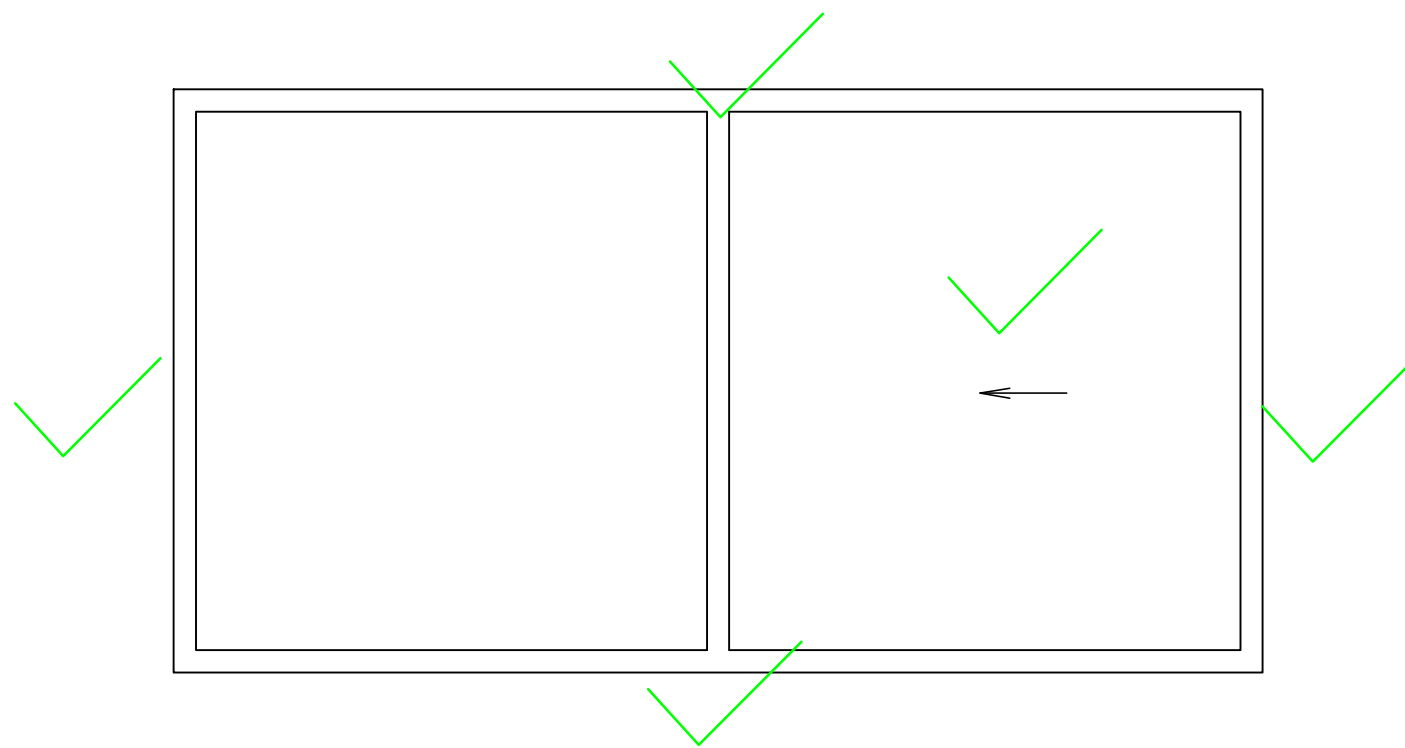
- The information provided here are guidelines only. Always adhere to Australian standards / BCA
- The installation and correct operation of these units in the installed situation is the responsibility of the installer. This includes but not limited to the correct flashing of doors and windows.
- Screw fixings must be used, DO NOT use nails
- The installed units must be plumb, square and level to a laser level. DO NOT use a conventional spirit level
- Check for smooth operation
- Check for even an even gap between door and jamb
- When door is decoupled from frame, DO NOT drag door (i.e. rubber gaskets at bottom of door will be dislodged)
- Operate door strictly per operating instructions provided
- Adjust center lock
- Check all gaskets are seated correctly
- Decouple and couple door strictly per instructions provided. Incorrect coupling may result in serious injury to operator

Lift & Slide Door S-Line		PROJECT		www.binq.com.au	REV A
PART NO. VARIOUS					
DRAWN BY/DATE AG 5/11/21		REFERENCE			
MATERIAL VARIES		SCALE @ A3 DNS	WEIGHT 1	THIS DRAWING IS THE PROPERTY OF BINQ. Information contained herein is confidential and is not to be used or disclosed to third parties without the written consent of binq	SHEET 1 / 1
FINISH/TREATMENT		X ± 0.1 XX ± 0.01 ± 0.25'			

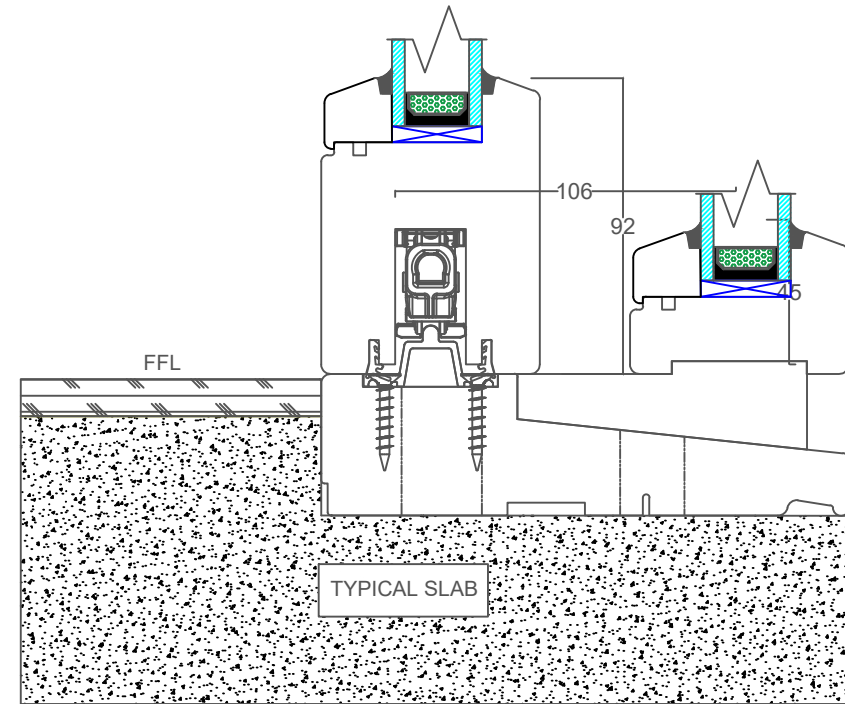
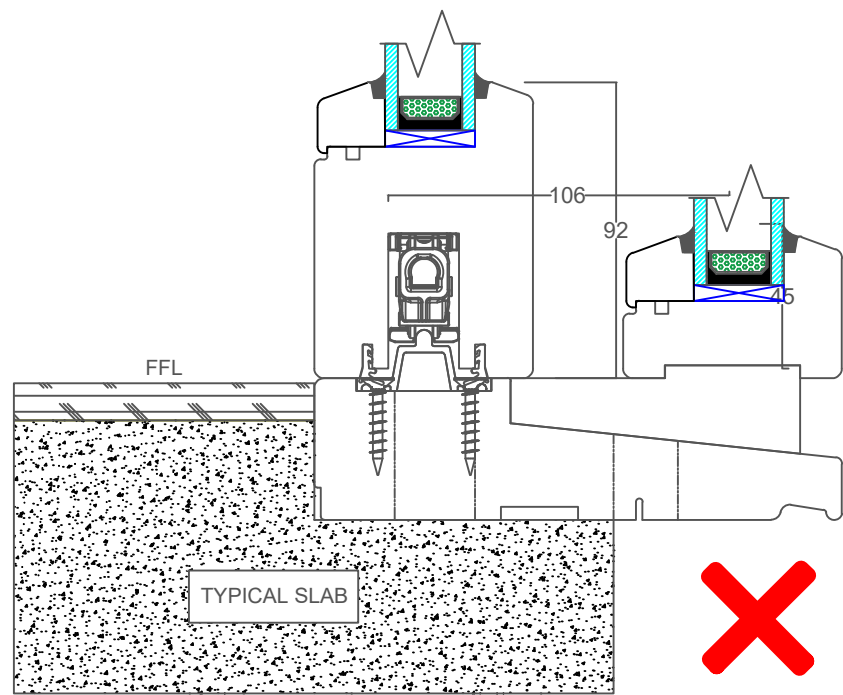




Frame MUST be
plumb and level using
a LASER LEVEL -
Failure to do so can
result in sub-optimal
operation and
performance



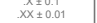


Lift & Slide Install Checks		BINQ® World Standard	
PART NO. VARIOUS	PROJECT	www.binq.com.au	
DRAWN BY/DATE BG 26/07/2023	REFERENCE		
MATERIAL TIMBER	SCALE @ A3 DNS	THIS DRAWING IS THE PROPERTY OF BINQ. Information contained herein is confidential and is not to be used or disclosed to third parties without the written consent of binq	REV A
FINISH/TREATMENT	WEIGHT 1		SHEET 1 / 1

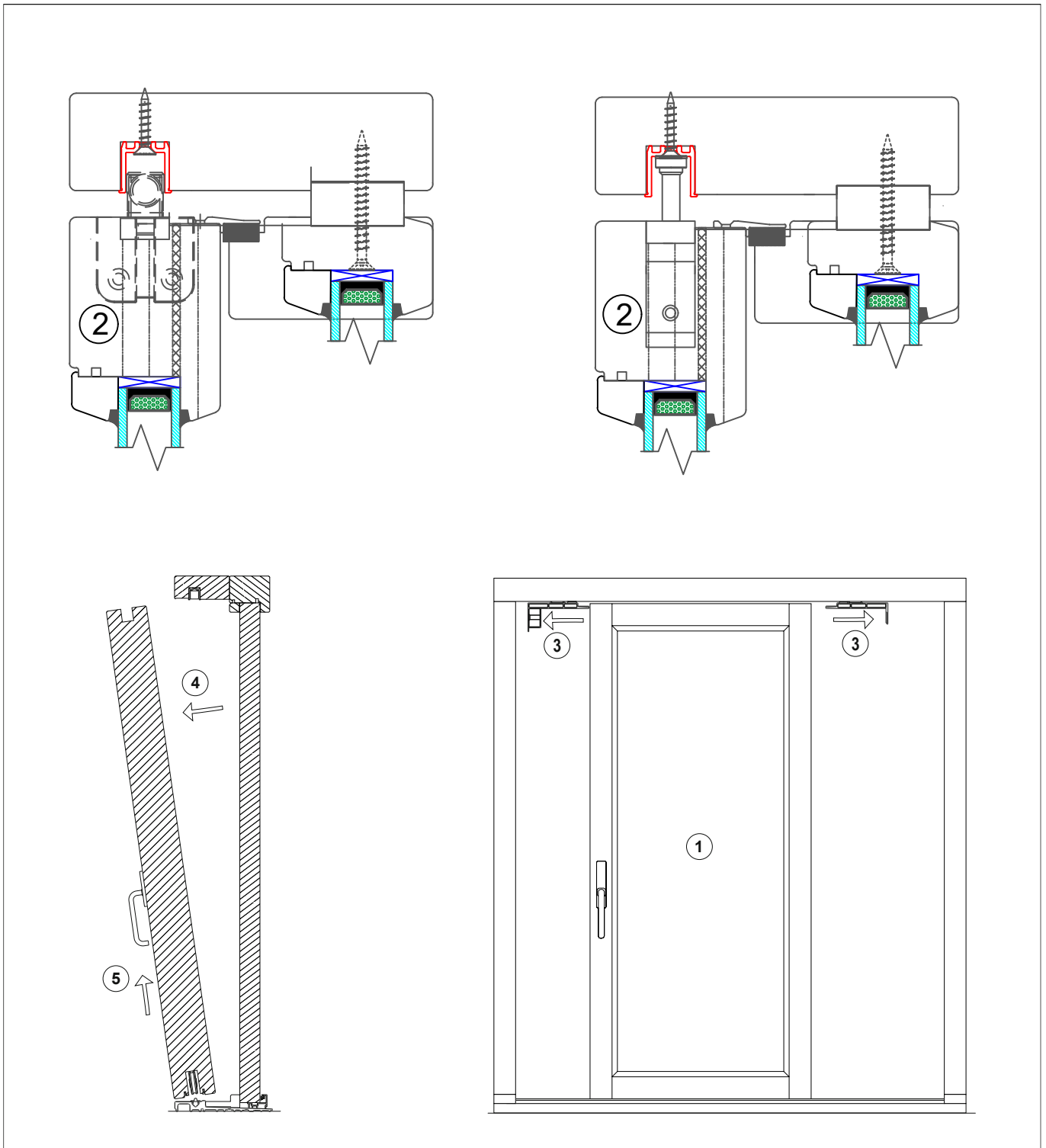


Entire threshold of Lift & Slide MUST be structurally supported as shown above.

Failure to do so will void warranty

Lift & Slide Threshold Install			REV
PART NO. VARIOUS	PROJECT		www.binq.com.au
DRAWN BY/DATE BG 5/07/22	REFERENCE	 SCALE @ A3 DNS	SHEET 1 / 1
MATERIAL VARIES			
FINISH/TREATMENT	$X \pm 0.1$ $\times X \pm 0.01$ $\pm 0.25'$	<small>THIS DRAWING IS THE PROPERTY OF BINQ. Information contained herein is confidential and is not to be used or disclosed to third parties without the written consent of binq.</small>	

How to Decouple Sliding Sash



① Slide sash open (i.e. enough to comfortably remove top guides)

Rotate handle 180 degree (i.e. so handle is facing upward) to drop the panel onto the bottom rail

② Remove screw fixings from top guide on mullion side and locking side ensuring the panel is held in upright position

③ Slide both guides outward (i.e. away from the sash) ensuring the panel is held in upright position

④ Tilt the sash away from the frame

⑤ Lift the sash off the bottom guide