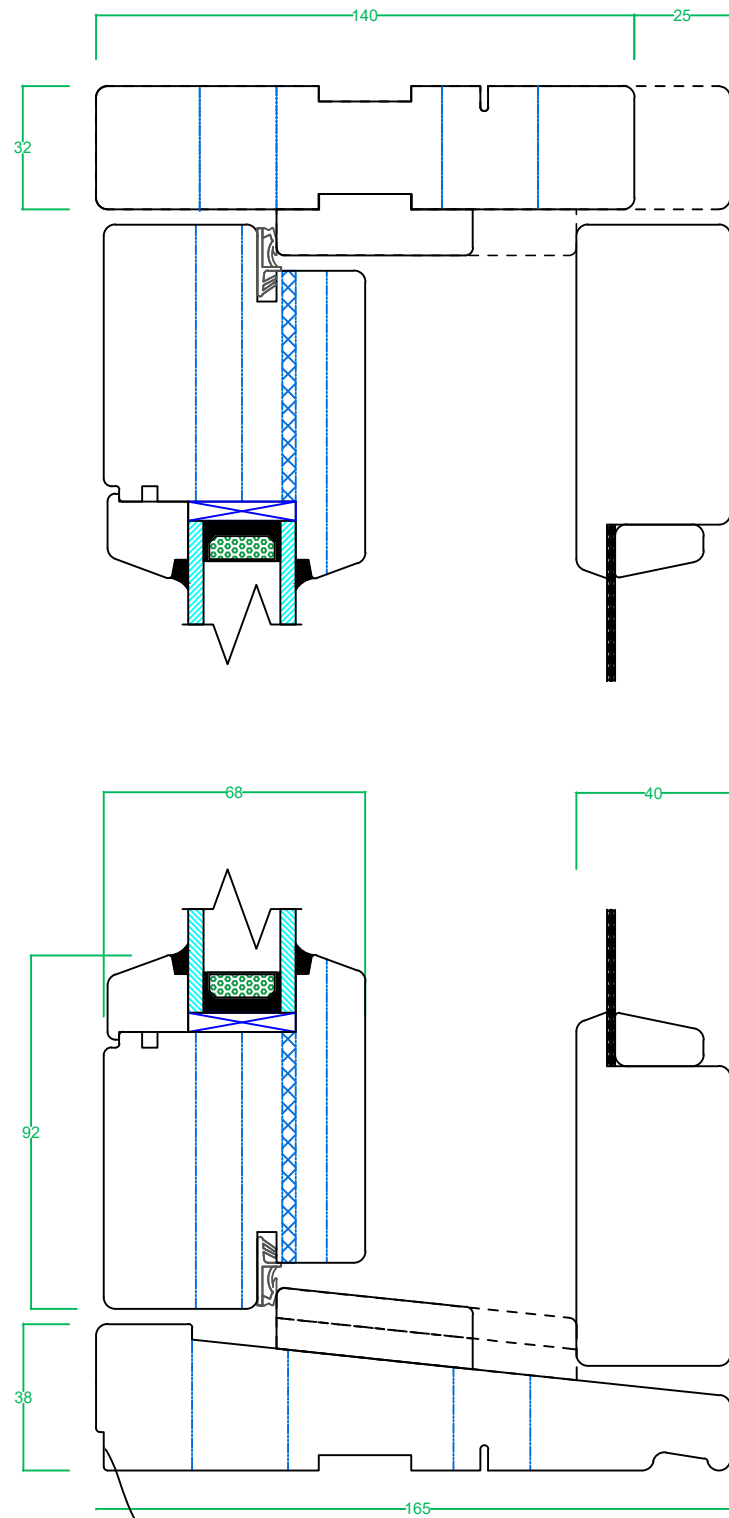
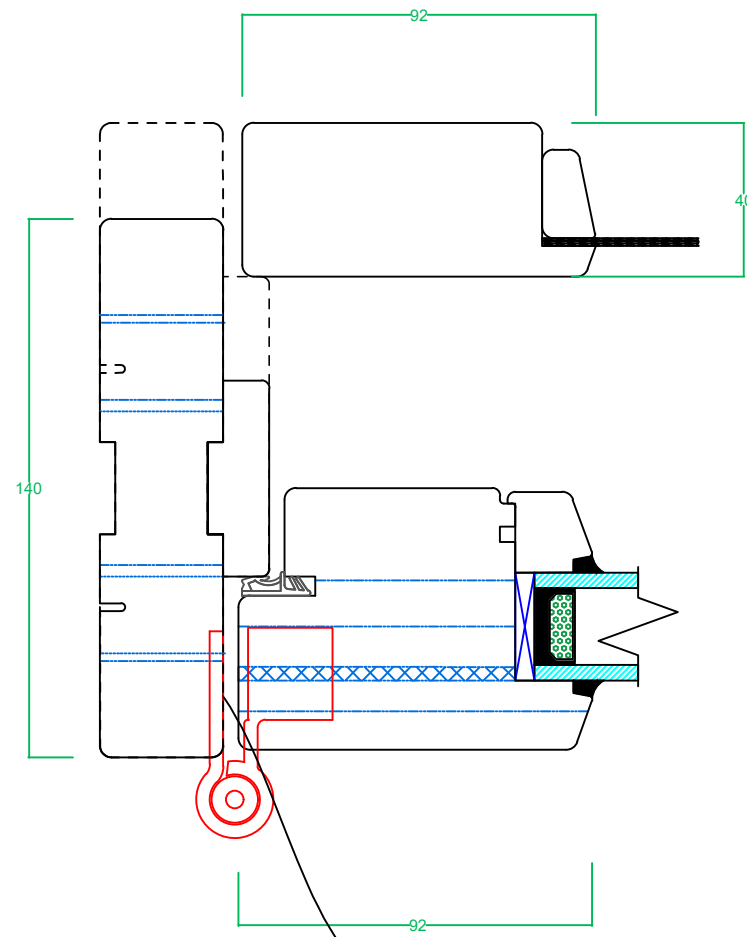


BINQ HINGED DOOR  
INWARD OPENING  
SECTION DETAIL

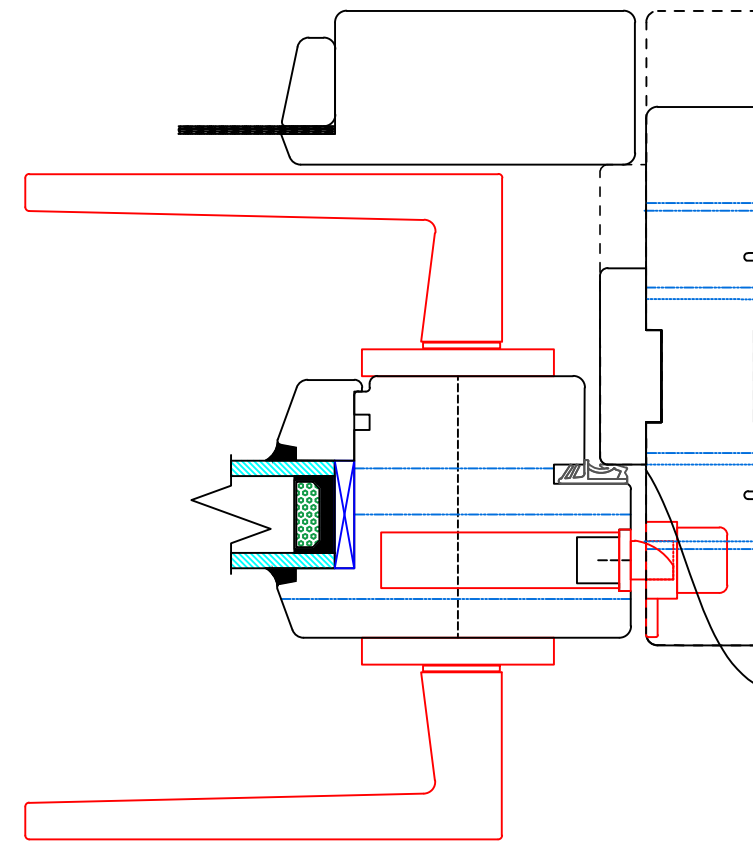


Flashing:  
Sills must be flashed from this point

BINQ HINGED DOOR  
INWARD OPENING  
PLAN DETAIL



Hinge Side Jamb Fixing:  
Fix behind hinges with minimum M10 screws  
2 x screw fixings behind top hinge  
2 x screw fixings behind bottom hinge  
remove hinge (including central aligning hinge)  
drill & counter-sink  
Minimum 3 fixing per jamb



General Notes:

- The information provided here are guidelines only. Always adhere to Australian standards / BCA
- The installation and correct operation of these units in the installed situation is the responsibility of the installer. This includes but not limited to the correct flashing of doors and windows.
- Screw fixings must be used, DO NOT use nails
- The installed units must be plumb, square and level to a laser level. DO NOT use a conventional spirit level
- Check for smooth operation
- Check for even an even gap between sash and jamb
- Operate sash strictly per operating instructions provided
- Sash hardware (including hinges) are adjustable
- Adjust sash per instructions provided if required
- Check all gaskets are seated correctly

Handle Side Jamb Fixing:  
DO NOT fix behind strikes  
fix at this position for least visible fixing  
drill & counter-sink  
Minimum 3 fixing per jamb  
If fixing is exposes raw timber, then apply coating to seal  
Alternatively, use Wurth screws & matching screw caps  
caps available in black, brown and white  
If using screw caps, screws must finish flush with jamb

Hinged Door		PROJECT		www.binq.com.au	REV
PART NO. VARIOUS	PROJECT	SCALE @ A3 DNS	REFERENCE		
DRAWN BY/DATE AG 22/03/2019	SCALE @ A3 DNS	WEIGHT 1			A
MATERIAL VARIES					
FINISH/TREATMENT					