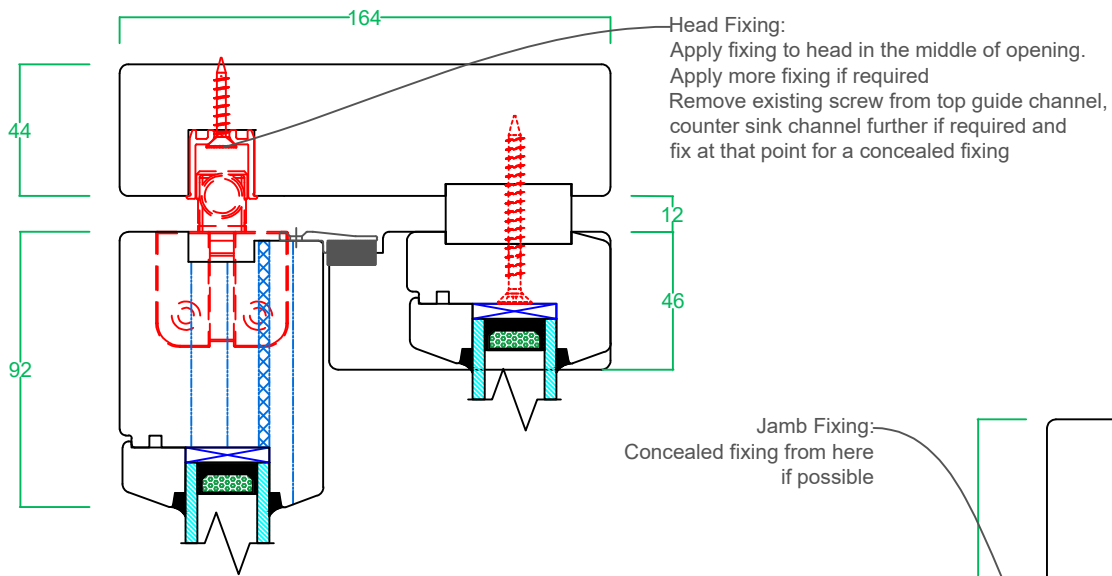


BINQ LIFT & SLIDE LEGGERO  
SECTION DETAIL

BINQ LIFT & SLIDE LEGGERO  
PLAN DETAIL

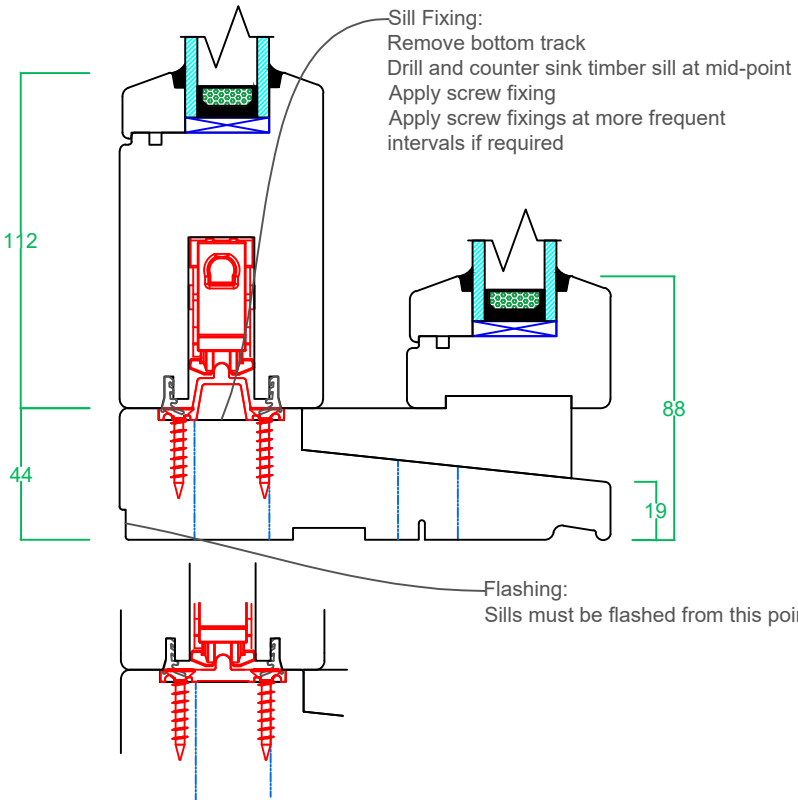


**Head Fixing:**  
Apply fixing to head in the middle of opening.  
Apply more fixing if required  
Remove existing screw from top guide channel,  
counter sink channel further if required and  
fix at that point for a concealed fixing

**Jamb Fixing:**  
Concealed fixing from here  
if possible

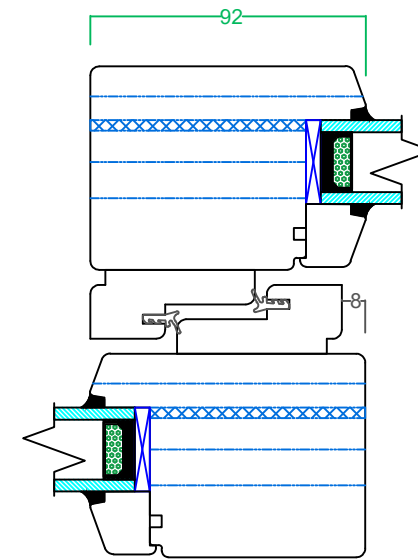
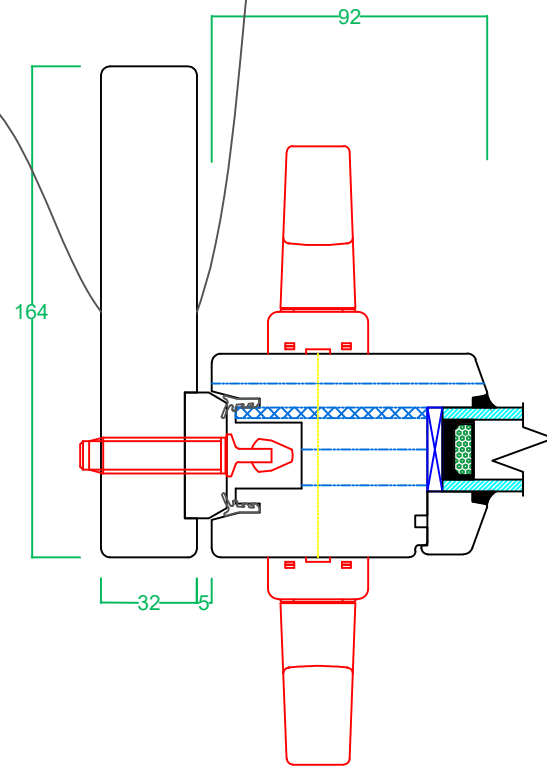
**Jamb Fixing:**  
Fix at center of reveal  
Minimum 3 fixing per jamb  
Fix at 100mm from head  
Fix at 100mm from sill  
Fix at center of jamb  
Drill & counter-sink  
If fixing is exposes raw timber, then apply coating to seal  
Alternatively, use Wurth screws & matching screw caps  
caps available in black, brown and white  
If using screw caps, screws must finish flush with jamb

Inside

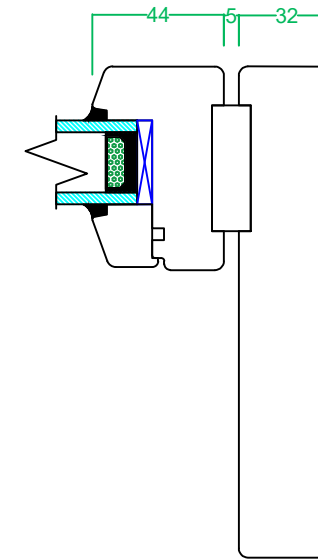


**Sill Fixing:**  
Remove bottom track  
Drill and counter sink timber sill at mid-point  
Apply screw fixing  
Apply screw fixings at more frequent  
intervals if required

**Flashing:**  
Sills must be flashed from this point



Inside



General Notes:

- The information provided here are guidelines only. Always adhere to Australian standards / BCA
- The installation and correct operation of these units in the installed situation is the responsibility of the installer. This includes but not limited to the correct flashing of doors and windows.
- Screw fixings must be used, DO NOT use nails
- The installed units must be plumb, square and level to a laser level. DO NOT use a conventional spirit level
- Check for smooth operation
- Check for even an even gap between door and jamb
- When door is decoupled from frame, DO NOT drag door (i.e. rubber gaskets at bottom of door will be dislodged)
- Operate door strictly per operating instructions provided
- Adjust center lock
- Check all gaskets are seated correctly
- Ensure that the sill of the Lift Slide is on a base that covers the whole sill and that it doesn't overhang.
- Decouple and couple door strictly per instructions provided. Incorrect coupling may result in serious injury to operator

Lift & Slide Door		PROJECT		www.binq.com.au	REV
PART NO. VARIOUS					
DRAWN BY/DATE AG 22/03/2019		REFERENCE			
MATERIAL VARIES		SCALE @ A3 DNS	WEIGHT 1	THIS DRAWING IS THE PROPERTY OF BINQ. Information contained herein is confidential and is not to be used or disclosed to third parties without the written consent of binq	SHEET 1 / 1
FINISH/TREATMENT					