

INSTALLATION GUIDE





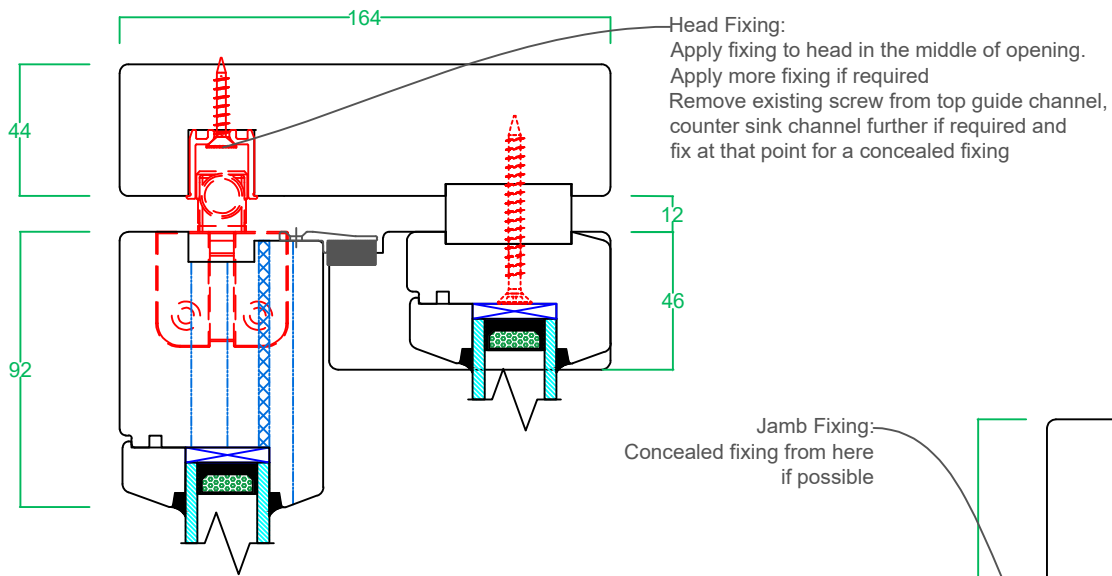
ARCHETTO

-

**LIFT & SLIDE
LIFT SLIDE LEGGERO
IV68 HINGED
TILT & TURN**

BINQ LIFT & SLIDE LEGGERO
SECTION DETAIL

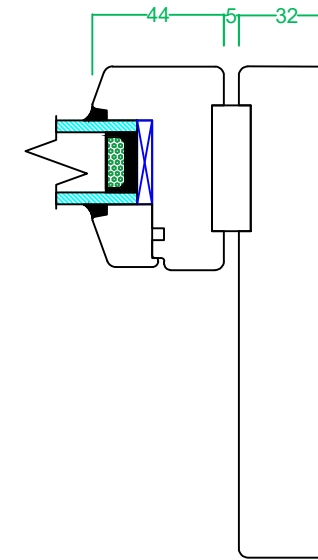
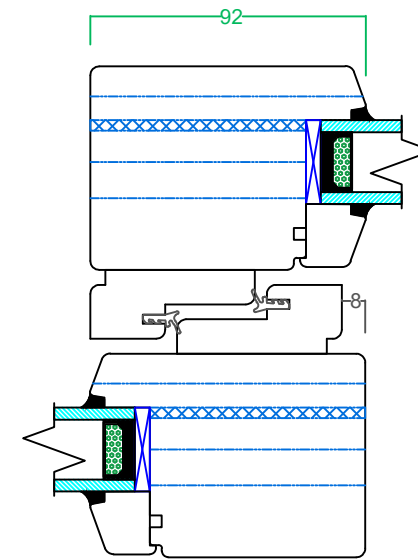
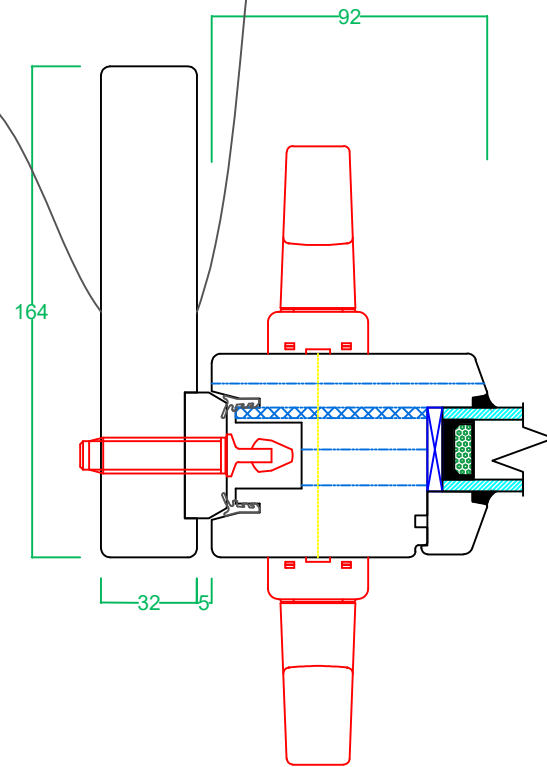
BINQ LIFT & SLIDE LEGGERO
PLAN DETAIL



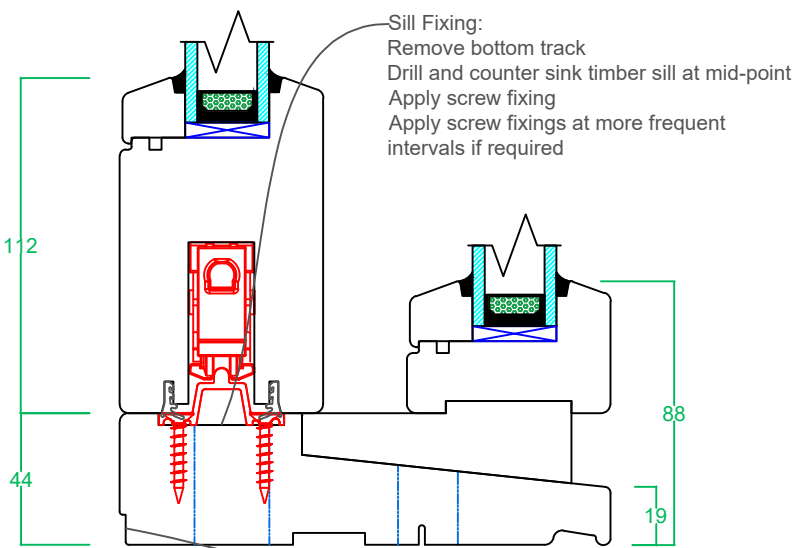
Head Fixing:
Apply fixing to head in the middle of opening.
Apply more fixing if required
Remove existing screw from top guide channel,
counter sink channel further if required and
fix at that point for a concealed fixing

Jamb Fixing:
Fix at center of reveal
Minimum 3 fixing per jamb
Fix at 100mm from head
Fix at 100mm from sill
Fix at center of jamb
Drill & counter-sink
If fixing is exposes raw timber, then apply coating to seal
Alternatively, use Wurth screws & matching screw caps
caps available in black, brown and white
If using screw caps, screws must finish flush with jamb

Jamb Fixing:
Concealed fixing from here
if possible



Inside



Sill Fixing:
Remove bottom track
Drill and counter sink timber sill at mid-point
Apply screw fixing
Apply screw fixings at more frequent
intervals if required

Flashing:
Sills must be flashed from this point

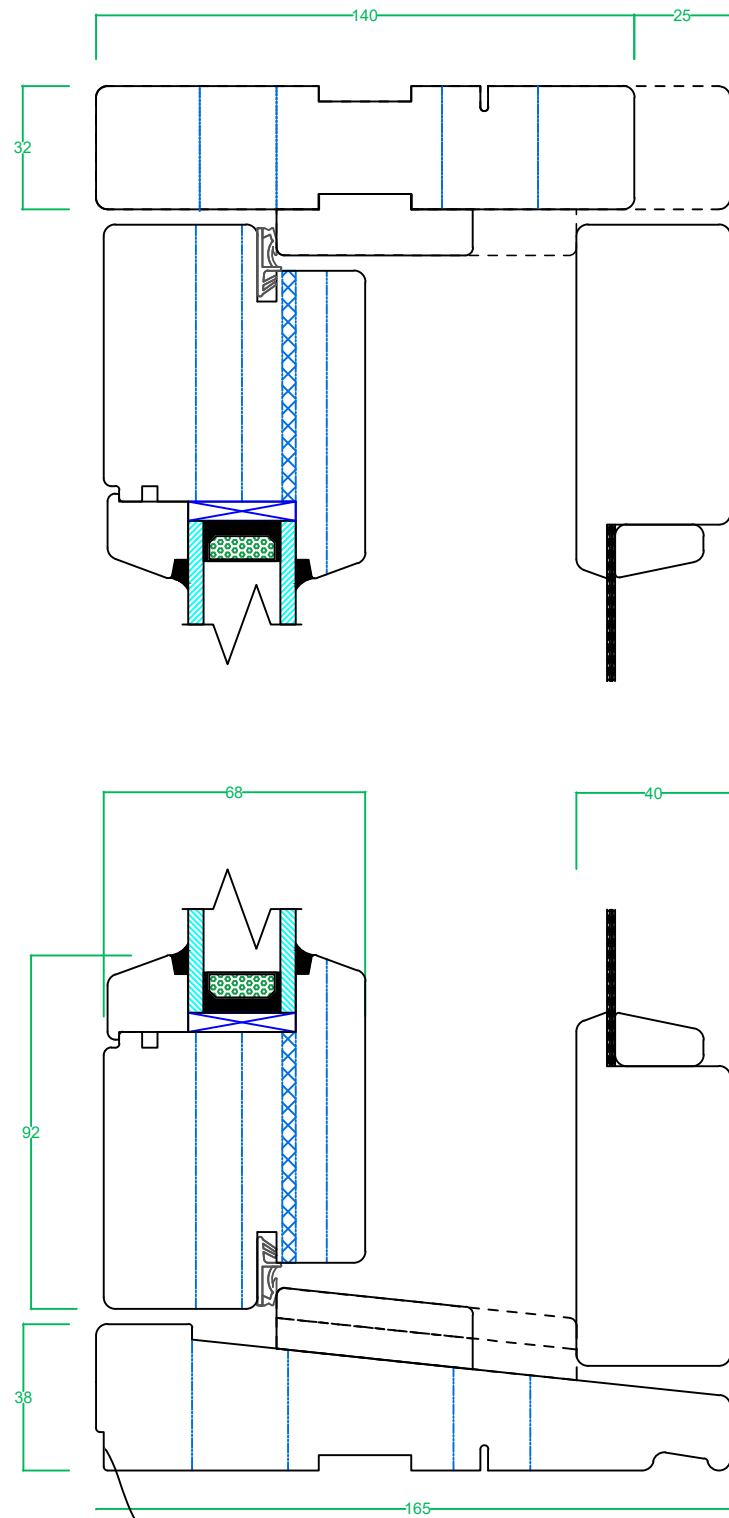
Inside

General Notes:

- The information provided here are guidelines only. Always adhere to Australian standards / BCA
- The installation and correct operation of these units in the installed situation is the responsibility of the installer. This includes but not limited to the correct flashing of doors and windows.
- Screw fixings must be used, DO NOT use nails
- The installed units must be plumb, square and level to a laser level. DO NOT use a conventional spirit level
- Check for smooth operation
- Check for even an even gap between door and jamb
- When door is decoupled from frame, DO NOT drag door (i.e. rubber gaskets at bottom of door will be dislodged)
- Operate door strictly per operating instructions provided
- Adjust center lock
- Check all gaskets are seated correctly
- Decouple and couple door strictly per instructions provided. Incorrect coupling may result in serious injury to operator

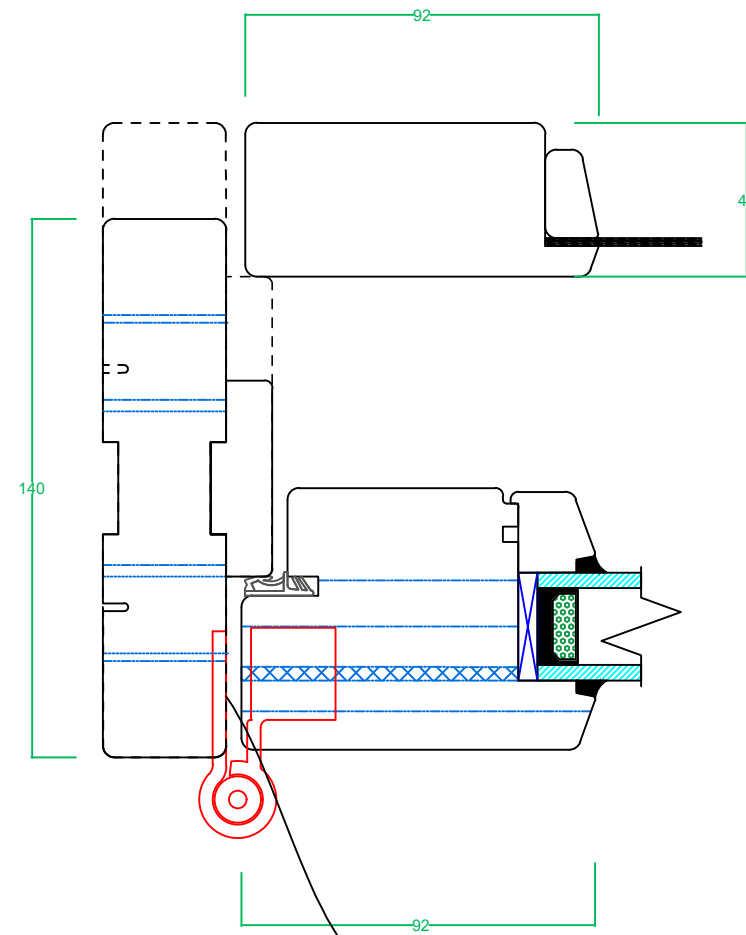
Lift & Slide Door		PROJECT		www.binq.com.au	REV
PART NO. VARIOUS					
DRAWN BY/DATE AG 22/03/2019		REFERENCE			
MATERIAL VARIES		SCALE @ A3 DNS	WEIGHT 1	THIS DRAWING IS THE PROPERTY OF BINQ. Information contained herein is confidential and is not to be used or disclosed to third parties without the written consent of binq	SHEET 1 / 1
FINISH/TREATMENT					

BINQ HINGED DOOR
INWARD OPENING
SECTION DETAIL

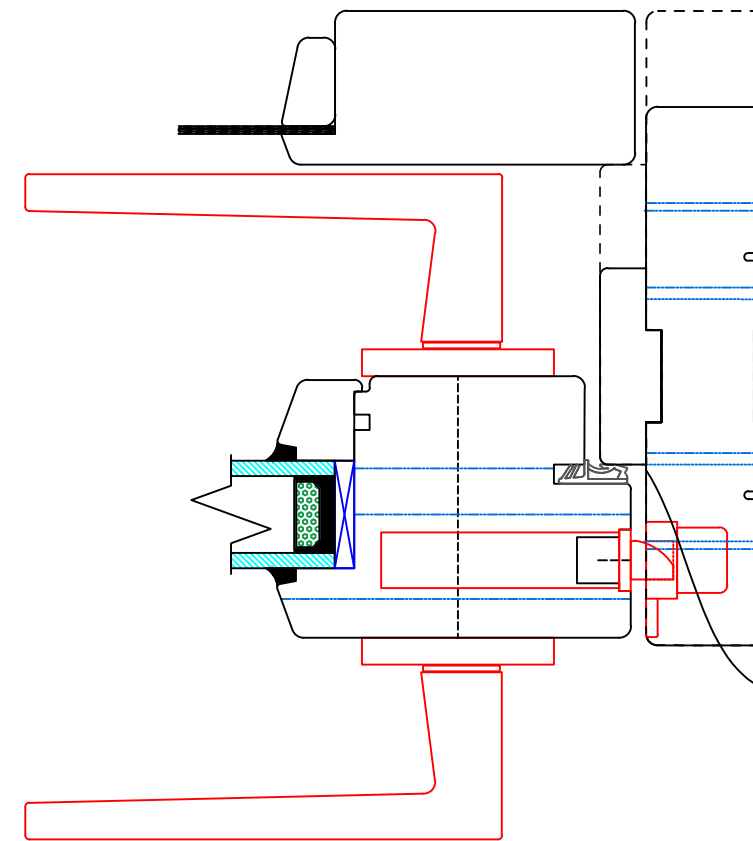


Flashing:
Sills must be flashed from this point

BINQ HINGED DOOR
INWARD OPENING
PLAN DETAIL




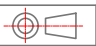
Hinge Side Jamb Fixing:
Fix behind hinges with minimum M10 screws
2 x screw fixings behind top hinge
2 x screw fixings behind bottom hinge
remove hinge (including central aligning hinge)
drill & counter-sink
Minimum 3 fixing per jamb



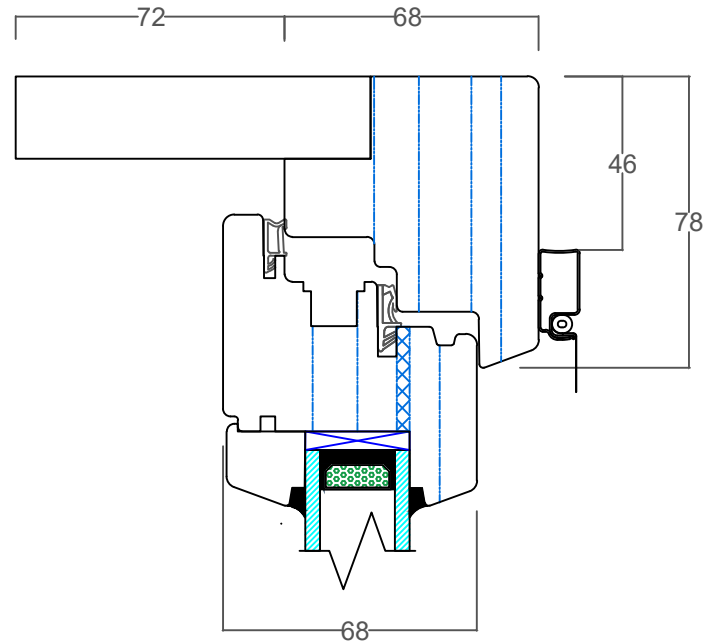
Handle Side Jamb Fixing:
DO NOT fix behind strikes
fix at this position for least visible fixing
drill & counter-sink
Minimum 3 fixing per jamb
If fixing is exposes raw timber, then apply coating to seal
Alternatively, use Wurth screws & matching screw caps
caps available in black, brown and white
If using screw caps, screws must finish flush with jamb

General Notes:

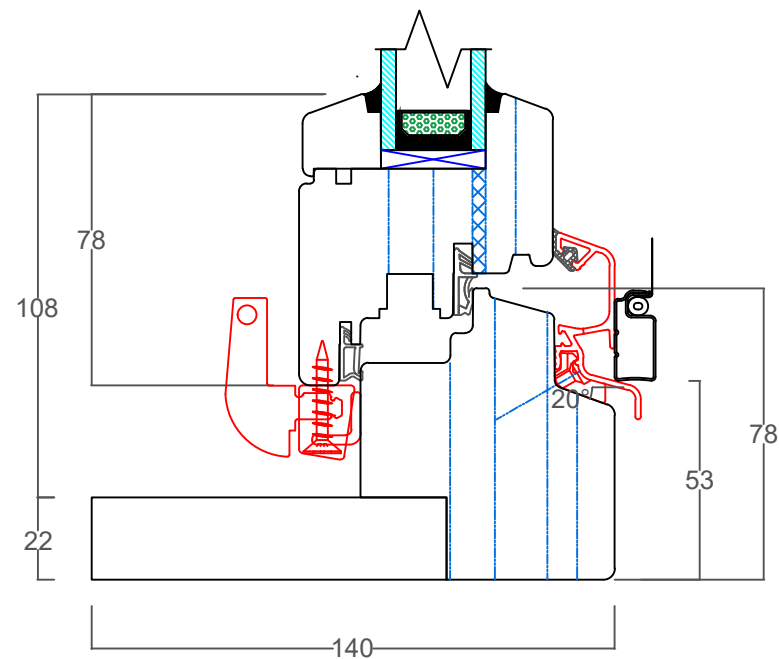
- The information provided here are guidelines only. Always adhere to Australian standards / BCA
- The installation and correct operation of these units in the installed situation is the responsibility of the installer. This includes but not limited to the correct flashing of doors and windows.
- Screw fixings must be used, DO NOT use nails
- The installed units must be plumb, square and level to a laser level. DO NOT use a conventional spirit level
- Check for smooth operation
- Check for even an even gap between sash and jamb
- Operate sash strictly per operating instructions provided
- Sash hardware (including hinges) are adjustable
- Adjust sash per instructions provided if required
- Check all gaskets are seated correctly

Hinged Door		PROJECT			www.binq.com.au	REV A
PART NO. VARIOUS	PROJECT	REFERENCE				
DRAWN BY/DATE AG 22/03/2019	SCALE @ A3 DNS	WEIGHT 1				
MATERIAL VARIES		<small>THIS DRAWING IS THE PROPERTY OF BINQ PTY LTD. INFORMATION CONTAINED HEREIN IS CONFIDENTIAL AND IT IS NOT TO BE USED NOR DISCLOSED TO 3RD PARTIES WITHOUT OUR WRITTEN PERMISSION</small>		SHEET 1 / 1		
FINISH/TREATMENT	<small>X ± 0.1 XX ± 0.01 ± 0.25</small>					

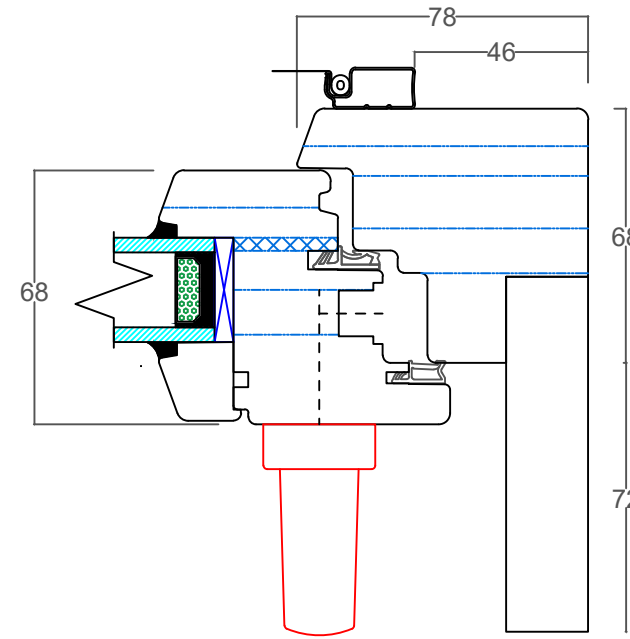
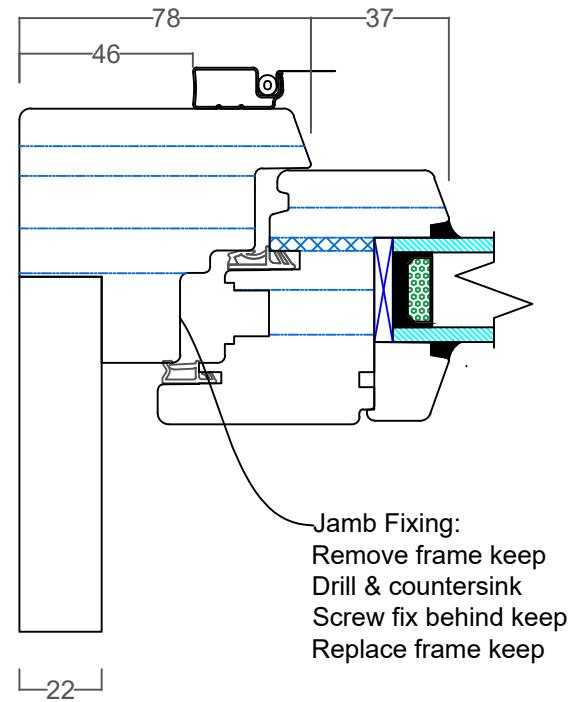
BINQ TILT & TURN WINDOW
140mm INTERNAL REVEAL
SECTION DETAIL



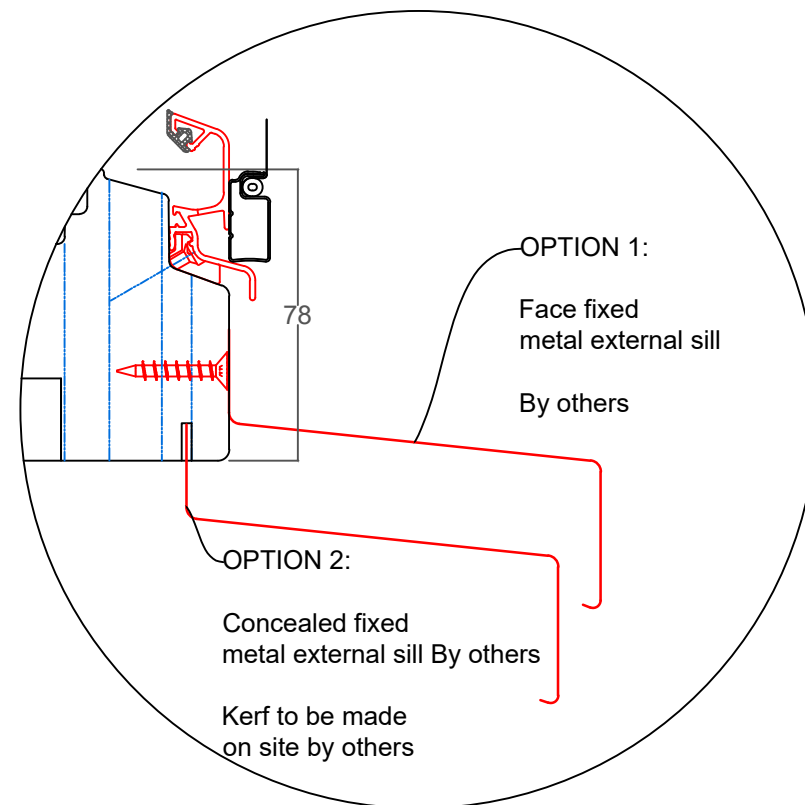
Inside



BINQ TILT & TURN WINDOW
140mm INTERNAL REVEAL
PLAN DETAIL



Inside



General Notes:

- The information provided here are guidelines only. Always adhere to Australian standards / BCA
- The installation and correct operation of these units in the installed situation is the responsibility of the installer. This includes but not limited to the correct flashing of doors and windows.
- Screw fixings must be used, DO NOT use nails
- The installed units must be plumb, square and level to a laser level. DO NOT use a conventional spirit level
- Check for smooth operation
- Check for even an even gap between sash and jamb
- Operate sash strictly per operating instructions provided
- Sash hardware is adjustable
- Adjust sash per instructions provided if required
- Check all gaskets are seated correctly
- **Decouple and couple sash strictly per instructions provided. Incorrect coupling may result in serious injury to operator**

Tilt Turn Window		PROJECT		www.binq.com.au	REV A
PART NO. VARIOUS		PROJECT			
DRAWN BY/DATE AG 22/03/2019		REFERENCE		SCALE @ A3 DNS	SHEET 1 / 1
MATERIAL VARIES		REFERENCE			
FINISH/TREATMENT		WEIGHT 1	THIS DRAWING IS THE PROPERTY OF BINQ. Information contained herein is confidential and is not to be used or disclosed to third parties without the written consent of binq		

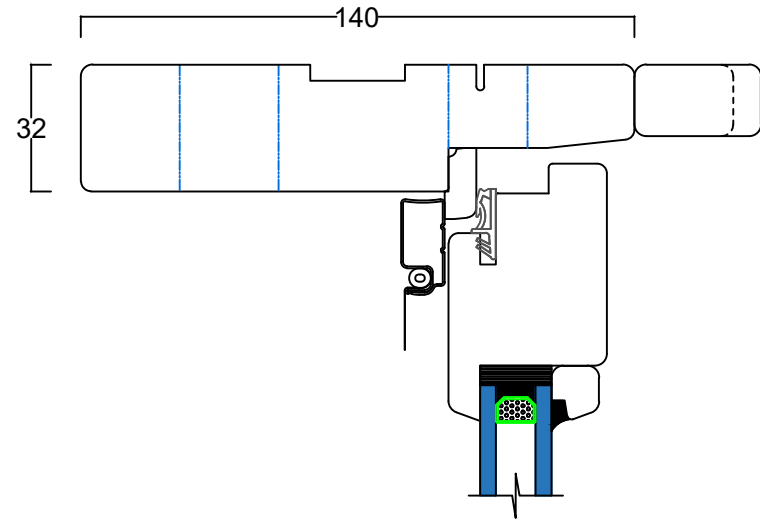


AZIONE

-

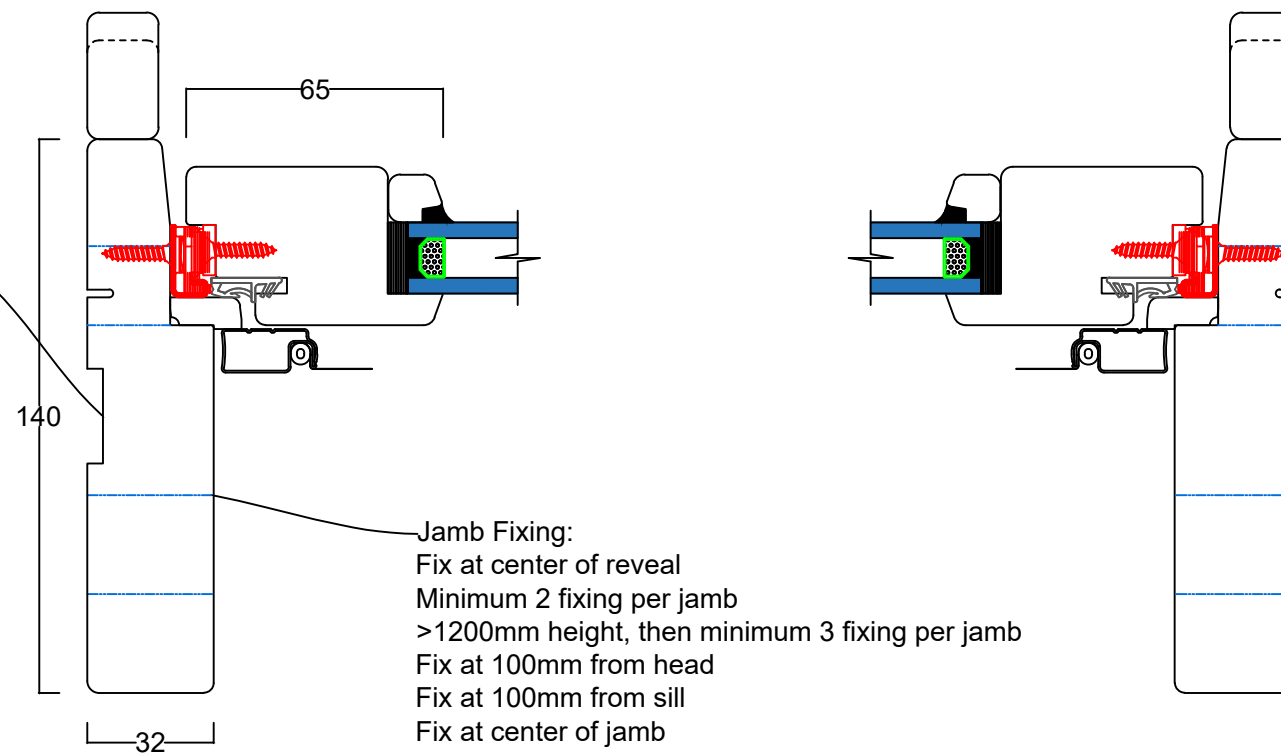
**AWNING
FIXED**

BINQ AWNING WINDOW
SECTION DETAIL



Jamb Fixing:
Concealed fixing from here
if possible

BINQ AWNING WINDOW
PLAN DETAIL

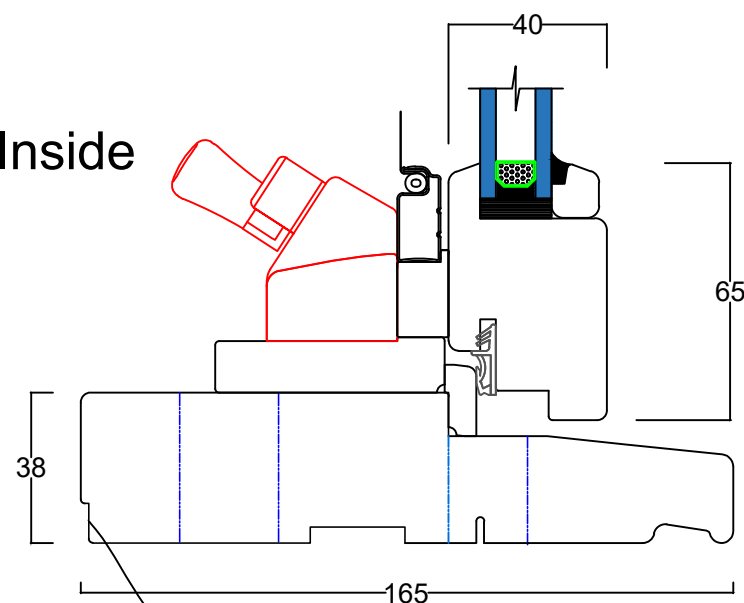


Jamb Fixing:
Fix at center of reveal
Minimum 2 fixing per jamb
>1200mm height, then minimum 3 fixing per jamb
Fix at 100mm from head
Fix at 100mm from sill
Fix at center of jamb
Drill & counter-sink
If fixing is exposes raw timber, then apply coating to seal
Alternatively, use Wurth screws & matching screw caps
caps available in black, brown and white
If using screw caps, screws must finish flush with jamb

General Notes:

- The information provided here are guidelines only. Always adhere to Australian standards / BCA
- The installation and correct operation of these units in the installed situation is the responsibility of the installer. This includes but not limited to the correct flashing of doors and windows.
- Screw fixings must be used, DO NOT use nails
- The installed units must be plumb, square and level to a laser level. DO NOT use a conventional spirit level
- Check for smooth operation
- Check for even an even gap between sash and jamb
- Sash stays are adjustable. Adjust sash if required
- Check all gaskets are seated correctly

Inside



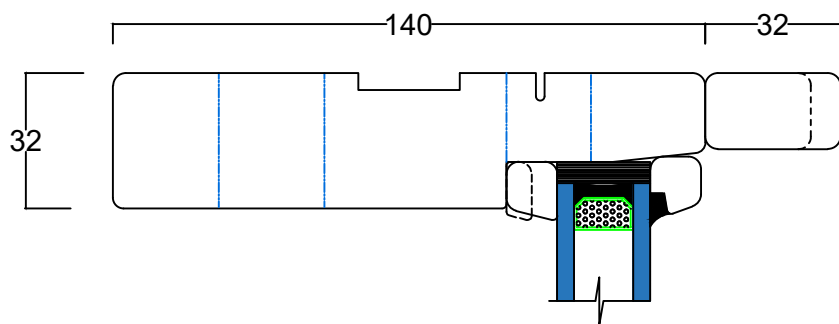
Flashing:
Sills must be flashed from this point

Inside

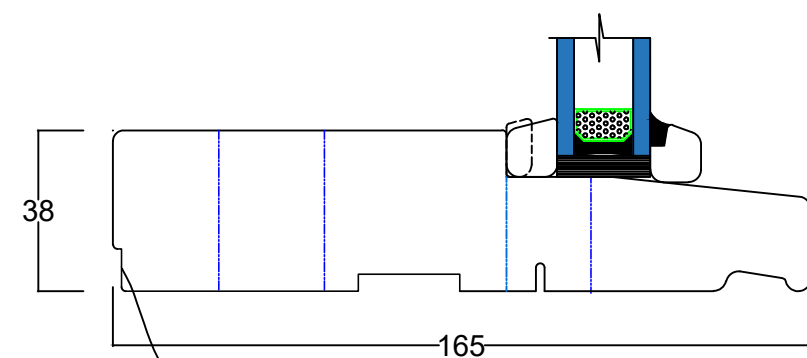
Awning Window			www.binq.com.au	REV A
PART NO. VARIOUS	PROJECT			
DRAWN BY/DATE AG 22/03/2019	REFERENCE		SCALE @ A3 DNS	SHEET 1 / 1
MATERIAL VARIES	FINISH/TREATMENT			
		WEIGHT 1	THIS DRAWING IS THE PROPERTY OF BINQ. Information contained herein is confidential and is not to be used or disclosed to third parties without the written consent of binq.	

BINQ FIXED WINDOW SECTION DETAIL

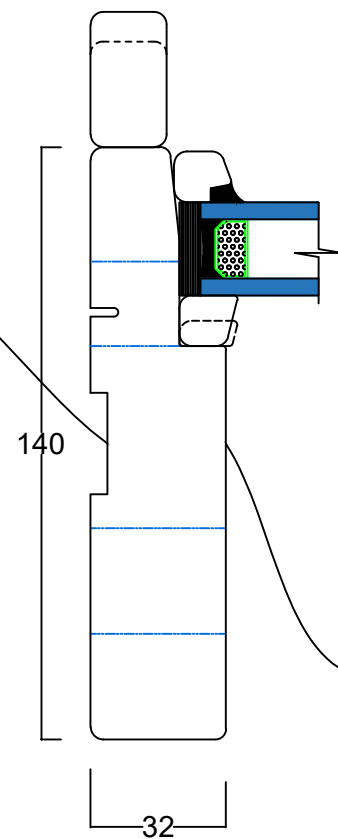
BINQ FIXED WINDOW PLAN DETAIL



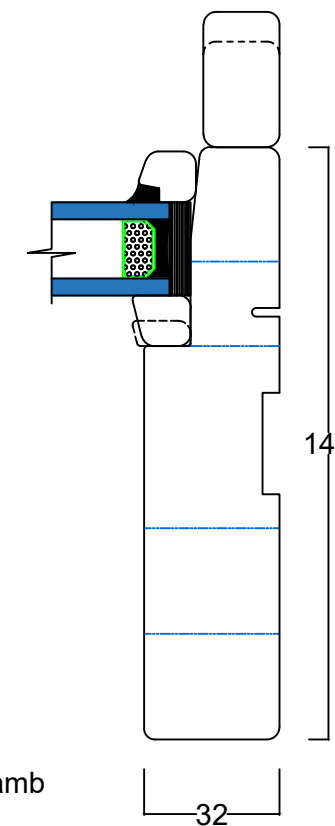
Jamb Fixing:
Concealed fixing from here
if possible



Flashing:
Sills must be flashed from this point




Jamb Fixing:
Fix at center of reveal
Minimum 2 fixing per jamb
>1200mm height, then minimum 3 fixing per jamb
Fix at 100mm from head
Fix at 100mm from sill
Fix at center of jamb
Drill & counter-sink
If fixing is exposes raw timber, then apply coating to seal
Alternatively, use Wurth screws & matching screw caps
caps available in black, brown and white
If using screw caps, screws must finish flush with jamb



General Notes:

- The information provided here are guidelines only. Always adhere to Australian standards / BCA
- The installation and correct operation of these units in the installed situation is the responsibility of the installer. This includes but not limited to the correct flashing of doors and windows.
- Screw fixings must be used, DO NOT use nails
- The installed units must be plumb, square and level

Inside

Fixed Window		PROJECT			REV
PART NO. VARIOUS					
DRAWN BY/DATE AG 22/03/2019		REFERENCE		www.binq.com.au	SHEET 1 / 1
MATERIAL VARIES		SCALE @ A3 DNS			
FINISH/TREATMENT		WEIGHT 1		THIS DRAWING IS THE PROPERTY OF BINQ. Information contained herein is confidential and is not to be used or disclosed to third parties without the written consent of binq.	