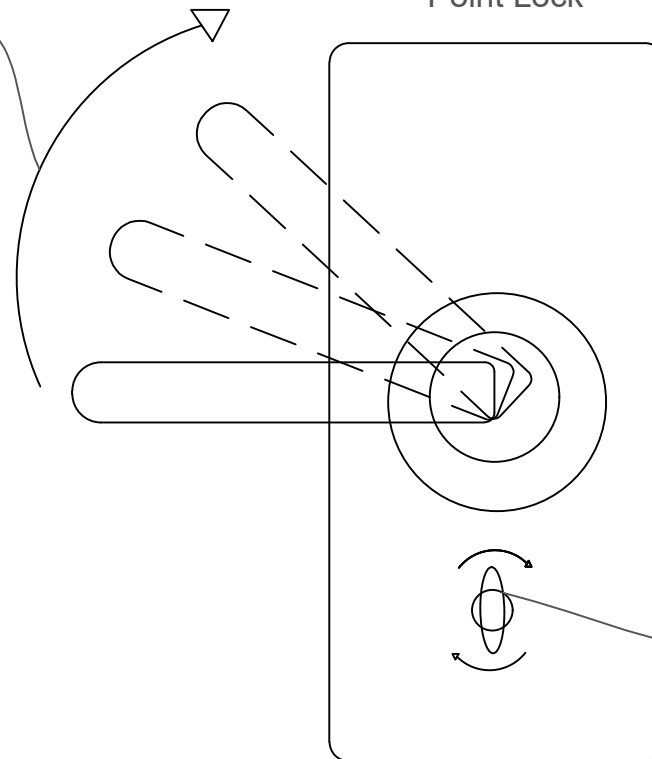


Engaging Multi Point Lock

1. Rotate lever handle 45 degrees upwards to engage multi-point lock



2. Rotate snib/key clockwise 180 degrees to secure locks

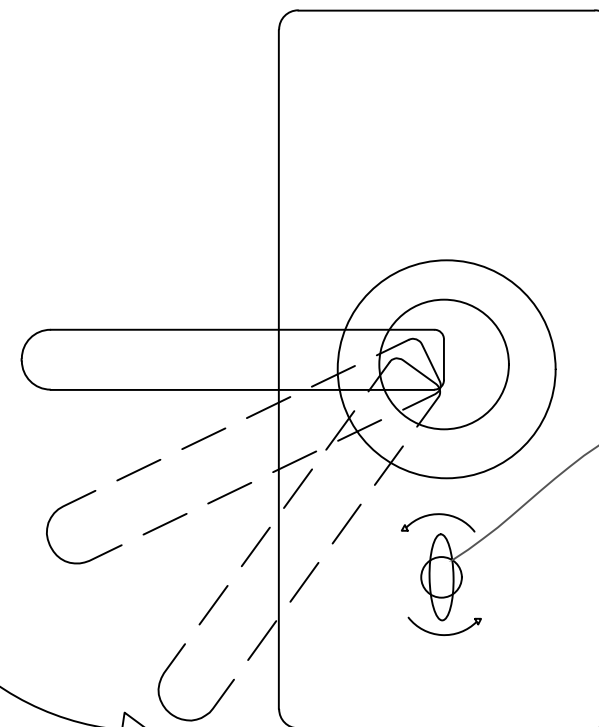
HOW TO LOCK:

1. Rotate handle 45 degrees UPWARDS to eject and engage the multiple locking hooks (hooks are tapered and will pull the sash tight against the seals). Some moderate force may be required.
2. Once hooks are engaged, turn the key (or snib) 180 degrees clockwise (viewed from inside). This will lock secure the hooks in position.
3. ALWAYS check that the door is securely locked by ensuring the handle can not be rotated downward to disengage locking hooks.

HOW TO UNLOCK:

1. Turn the key (or snib) anti-clockwise 180 degrees (viewed from inside).
2. Rotate handle downwards 45 degrees to retract the hooks and latch allowing the door to open.

Disengaging Multi Point Lock




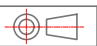
1. Rotate snib/key anti clockwise 180 degrees to release hooks

2. Rotate lever handle 45 degrees downwards to disengage locking hooks

PLEASE NOTE:

The key (or snib) cannot be rotated 180 degrees to securely lock the door without fully engaging the multipoint locks (i.e. by lifting the handle 45 degrees upward)

BINQ recommends that the multi-point lock are always engaged to ensure an airtight seal and to prevent the door from bowing.

Multi-point Lock Instructions				
PART NO. VARIOUS	PROJECT			
DRAWN BY/DATE BG 09/08/2022	REFERENCE			
MATERIAL VARIES	 SCALE @ A3 DNS	WEIGHT 1	www.binq.com.au	REV A
FINISH/TREATMENT	X ± 0.1 XX ± 0.01 ± 0.25*	THIS DRAWING IS THE PROPERTY OF BINQ PTY LTD. INFORMATION CONTAINED HEREIN IS CONFIDENTIAL AND IT IS NOT TO BE USED NOR DISCLOSED TO 3RD PARTIES WITHOUT OUR WRITTEN PERMISSION	SHEET 1 / 1	